

Experience the power of 3D—today.

Autodesk[®] Inventor LT[™]



Autodesk[®]

Start Adding 3D at Your Own Pace

Designing in 3D is here to stay—so start experiencing the benefits. Get ready to increase your productivity, participate in Digital Prototyping workflows, and compete more effectively with 3D part design.

Take Efficiency to the Next Level with Digital Prototyping

Autodesk Inventor LT allows you to participate in Digital Prototyping workflows. What does that mean? Using Autodesk Inventor software, the foundation of the Autodesk solution for Digital Prototyping, customers and partners can integrate your 3D part designs into digital prototypes of complete assemblies. They can then validate the form, fit, and function of a product—before it is built. By turning to Digital Prototyping with Autodesk Inventor software, you'll be able to do the same thing.

Use Digital Prototyping to increase your competitiveness:

- Save money by building fewer physical prototypes
- Reduce the risk of errors
- Bring products to market sooner
- Create marketing materials faster and more cost-effectively
- Collaborate more seamlessly with customers and partners
- Validate designs with stress analysis and motion simulation

Autodesk® Inventor LT™ software allows you to adopt 3D mechanical part design—at the pace that's right for you. When you design using 3D models of parts, you can increase your productivity, reduce the risk of errors, and improve communication with customers and partners. You'll be able to compete more effectively as you move towards Digital Prototyping.

Autodesk Inventor LT is also sold as part of the AutoCAD® Inventor LT™ Suite, which includes AutoCAD LT® software. By turning to Inventor LT, you get many of the capabilities found in Autodesk® Inventor® software, including part-level 3D modeling, multi-CAD translation, and automated DWG™ drawing views. Interoperability with AutoCAD LT lets you continue to work with real DWG data.

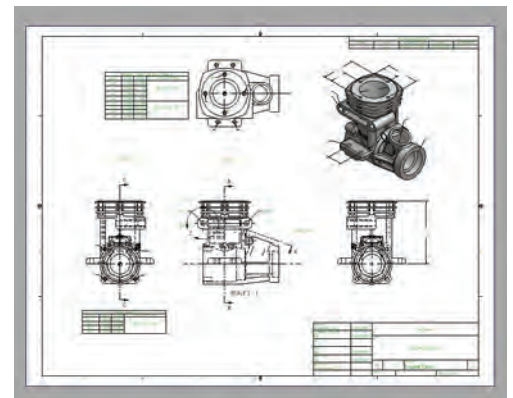
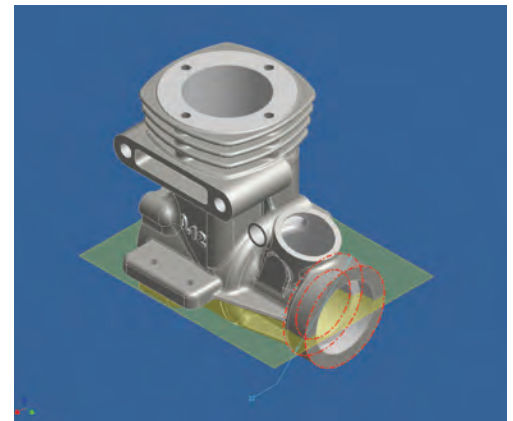
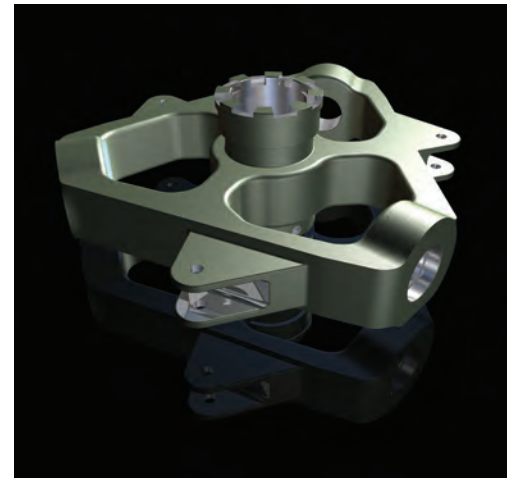
Design Parts Faster and Better in 3D

With powerful part-level parametric modeling, Autodesk Inventor LT delivers the capabilities you need to design mechanical parts in 3D. Use it to design even complex parts more quickly. Visualize and verify your part designs in 3D to avoid costly errors—before building expensive physical prototypes. Then generate photorealistic renderings of 3D part models to communicate design intent to customers and other reviewers. You'll reduce rework and cycle times, allowing you to bring better products to market sooner.

Share 3D Part Designs and DWG Drawings

With Inventor LT, you can reduce the hassle and inefficiency of working in today's multi-CAD environments. It allows you to easily share 2D and 3D design data with customers and suppliers—without relying on expensive file translation software. Import, create, modify, and export 3D part models in common file formats to streamline communication with your extended supply chain.

As projects progress, your downstream users need production-ready DWG drawings. With Autodesk Inventor LT, you can generate production-ready drawings that automatically update whenever the 3D part model changes. And since the AutoCAD Inventor LT Suite includes AutoCAD LT, you can use familiar 2D tools to make quick changes to DWG drawings.



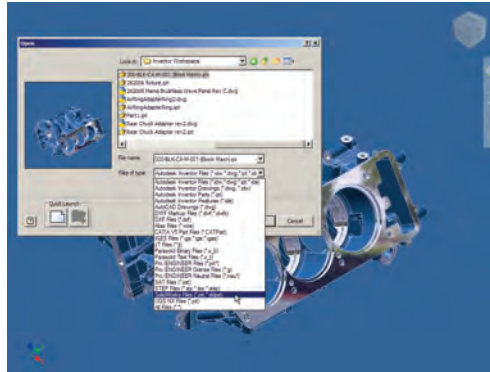
Leverage Existing 2D Designs and Expertise

Realize the benefits of 3D design while continuing to rely on the 2D designs and expertise you have built up over time. Autodesk has more experience with the needs of AutoCAD® users than any other company, and we built Inventor LT with those needs in mind. Maintain your current 2D productivity by using AutoCAD LT when you prefer. Inventor LT also offers the industry's most seamless DWG interoperability, so you can work easily with existing 2D designs within a 3D environment.

Open the Door to 3D—and Opportunity

In today's competitive global marketplace, 3D is not a luxury for manufacturers. It's a necessity. Yet your current needs may not warrant a full Digital Prototyping workflow. Inventor LT offers DWG interoperability, affordability, and 3D capabilities. So you can use it to get your job done today and be ready for tomorrow—knowing that your Inventor LT designs will be fully compatible with the Autodesk Inventor family of software.

It's not just companies that need to compete. Individual designers and engineers do too. With 3D design becoming the standard, you need to keep your skills up to date. The 3D design skills you learn using Inventor LT are directly transferable to Autodesk Inventor, the top-selling 3D mechanical design software and the foundation of the Autodesk® solution for Digital Prototyping.



The ability to quickly and accurately manipulate part models with Inventor LT allows me get more done. I can take customer-provided 3D models and design around them or reverse engineer parts to create the desired tooling quickly. And modeling in 3D makes it easier to visualize the part being designed, so costly errors can be avoided.

—Brian Aldren
Associate Manufacturing Engineer
Electronic Systems

